



Agilent PXI RF Switch Modules

DISCOVER the Alternatives...

Industries and Applications

- Aerospace/defense
- Automotive
- Electronic test
- Medical
- Semiconductor

Product Description

The PXI RF switch modules deliver high-performance, bi-directional switching up to 3GHz, and are available in multiple configurations to integrate into a variety of test environments. Modern RF relay technology delivers low insertion loss and VSWR for excellent RF signal integrity and dynamic range when routing RF signals into your measurement equipment. Each switch path is carefully designed to ensure repeatable RF performance.



... Agilent **Modular** Products

Models	
M9128A	PXI RF matrix 300 MHz, 50 Ω
M9146A- M9149A	PXI RF multiplexer 3GHz, 50 Ω
M9150A- M9153A	PXI RF multiplexer 3GHz, 75 Ω

Main Features and Benefits

Product features	Your benefit
Modern RF relay technology delivers low insertion loss and VSWR	Excellent RF signal integrity and dynamic range
Each switch path is carefully designed	Repeatable RF performance
Software drivers support the most common programming environments	Work in your environment of choice and reduce development time
Snap-on SMB connections, soft front panels, and Agilent Connection Expert	Fast and easy installation and configuration

Chassis slot compatibility: cPCI (J1), PXI-1 (J1), PXIe Hybrid

Specifications and Characteristics

Hardware			
RF switches	Configuration	Insertion loss	VSWR (typical)
RF 3GHz, 50 Ω multiplexer switches			
M9146A	Dual 1x4	0.8 dB	45 dB
M9147A	Quad 1x4	1 dB	40 dB
M9148A	1x8	0.8 dB	40 dB
M9149A	1x16	1.2 dB	40 dB
RF 3GHz, 75 Ω multiplexer switches			
M9150A	Dual 1x4	1 dB	45 dB
M9151A	1x4	1.1 dB	40 dB
M9152A	1x8	1 dB	45 dB
M9153A	1x16	1.2 dB	40 dB
RF 300MHz, 50Ω matrix switch			
M9128A	8x12	2 dB ¹	40 dB

1. Refer to matrix performance graph and detailed specifications in data sheet, literature number 5990-6585EN



Agilent Technologies

Software Information

Operating systems	Microsoft Windows® XP Microsoft Windows® Vista (32/64-bit) Microsoft Windows® 7 (32/64-bit)
Standard compliant drivers	IVI-COM, IVI-C, LabVIEW
Supported application development environments (ADE)	VisualStudio.NET® (C/C++,C#, VB.NET), LabVIEW, LabWindows/CVI, MATLAB, VEE

Advantage Services

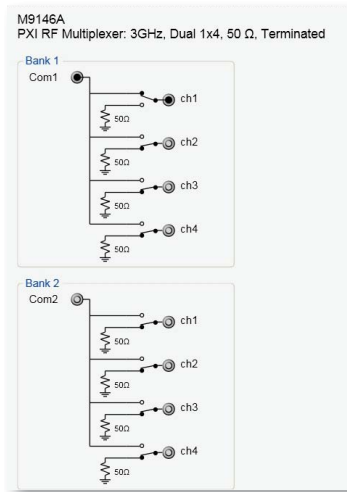


Figure 1. Soft front panel

Advantage Services: warranty

Agilent Advantage Services is committed to your success throughout your equipment's lifetime.

R-51B-001-3C	1-year, return-to-Agilent warranty extended to 3 years
--------------	--

Microsoft Windows and Visual Studio are either registered trademarks or trademarks of Microsoft Corporation in the United States and/or other countries.

PCI® is a registered U.S. trademark and/or service mark of PCI-SIG.

Ordering Information

Model	Description
M9128A	PXI RF matrix switch: 300 MHz, 8x12, 50 Ω
M9146A	PXI RF multiplexer: 3GHz, dual 1x4, 50 Ω, terminated
M9147A	PXI RF multiplexer: 3GHz, quad 1x4, 50 Ω, terminated common
M9148A	PXI RF multiplexer: 3GHz, 1x8, 50 Ω
M9149A	PXI high-density RF multiplexer: 3GHz, 1x16, 50 Ω
M9150A	PXI RF multiplexer: 3GHz, dual 1x4, 75 Ω
M9151A	PXI RF multiplexer: 3GHz, quad 1x4, 75 Ω
M9152A	PXI high-density RF multiplexer: 3GHz, 1x8, 75 Ω
M9153A	PXI high-density RF multiplexer: 3GHz, 1x16, 75 Ω

Related products

M9018A	18-slot PXIe chassis
M9021A	PCIe® cable interface
M9045B	PCIe ExpressCard adaptor: Gen 1
Y1200B	PCIe cable: x1 to x8, 2.0m (used with M9045B)
M9047B	PCIe desktop PC adapter
Y1202A	PCIe cable: x8, 2.0m (used with M9047B)
M9122A	8x32, 1-wire matrix switch
M9103A	99-ch, 1-wire multiplexer switch
M9133A	100-ch SPST general purpose switch
M9187A	32-ch digital I/O

Discover Agilent ...

www.agilent.com

www.agilent.com/find/modular

www.agilent.com/find/pxi-switch

USA: (800) 829-4444



For more information on Agilent Technologies' products, applications, or services, please contact your local Agilent office. The complete list is available at: www.agilent.com/find/contactus

Product specifications and descriptions in this document subject to change without notice.

© Agilent Technologies, Inc. 2011 Printed in USA, November 1, 2011
5990-6357EN



Agilent Technologies